

## Drop-In Heated Plate Dispenser, 2 cylinders - Ø180-300 mm

ITEM # \_\_\_\_\_

MODEL # \_\_\_\_\_

NAME # \_\_\_\_\_

SIS # \_\_\_\_\_

AIA # \_\_\_\_\_


**341158 (D33H)**

 Drop-in heated Plate  
 Dispenser, double cylinder,  
 plate diameter 180-300 mm

### Short Form Specification

**Item No.** \_\_\_\_\_

Two cylinders plate lowerator: each cylinder can accommodate up to 50 plates of 300 mm diameter. Heated cylinder: allows to keep the plates hot at desired temperature. Guiding profiles inside the cartridges allows to accommodate different shaped plates/bowls.

### Main Features

- Two cylinders plate lowerator: each cylinder can accommodate up to 50 plates of 300 mm diameter
- Heated cylinder: Allows to keep the plates hot at desired temperature.
- CB and CE certified by a third party notified body.
- Designed to be positioned in flush installation providing improved cleanability and suitable for modern design installations.
- As standard the product comes with digitally controlled thermostat which is in line of HACCP norms and provides visual alarm as a warning of the increasing or decreasing temperatures.
- Guiding profiles inside the cartridges allows to accommodate different shaped plates/bowls.
- Precise temperature control and setting at 0,1° C .

### Construction

- IPx4 water protection.
- Electronic control with temperature display.

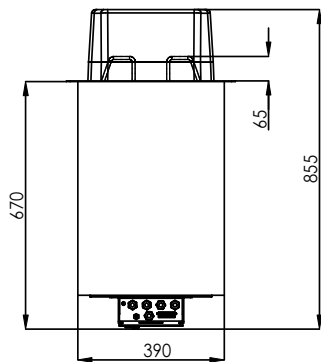
**APPROVAL:** \_\_\_\_\_



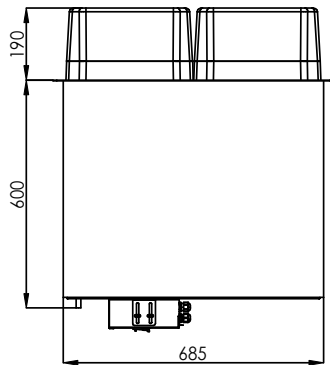
**Electrolux**  
PROFESSIONAL

## Drop-In Heated Plate Dispenser, 2 cylinders - Ø180-300 mm

Front

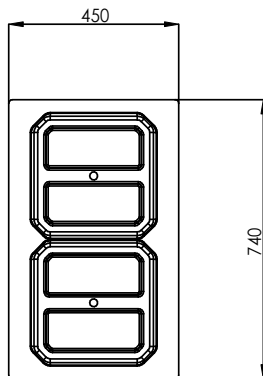


Side



EI = Electrical inlet (power)

Top



### Electric

Supply voltage: 220-240 V/1N ph/50/60 Hz  
Electrical power, max: 1.62 kW

### Key Information:

External dimensions, Width: 740 mm  
External dimensions, Depth: 435 mm  
External dimensions, Height: 700 mm  
Net weight: 34 kg

Drop-In  
Heated Plate Dispenser, 2 cylinders - Ø180-300 mm

The company reserves the right to make modifications to the products without prior notice. All information correct at time of printing.

2026.03.09